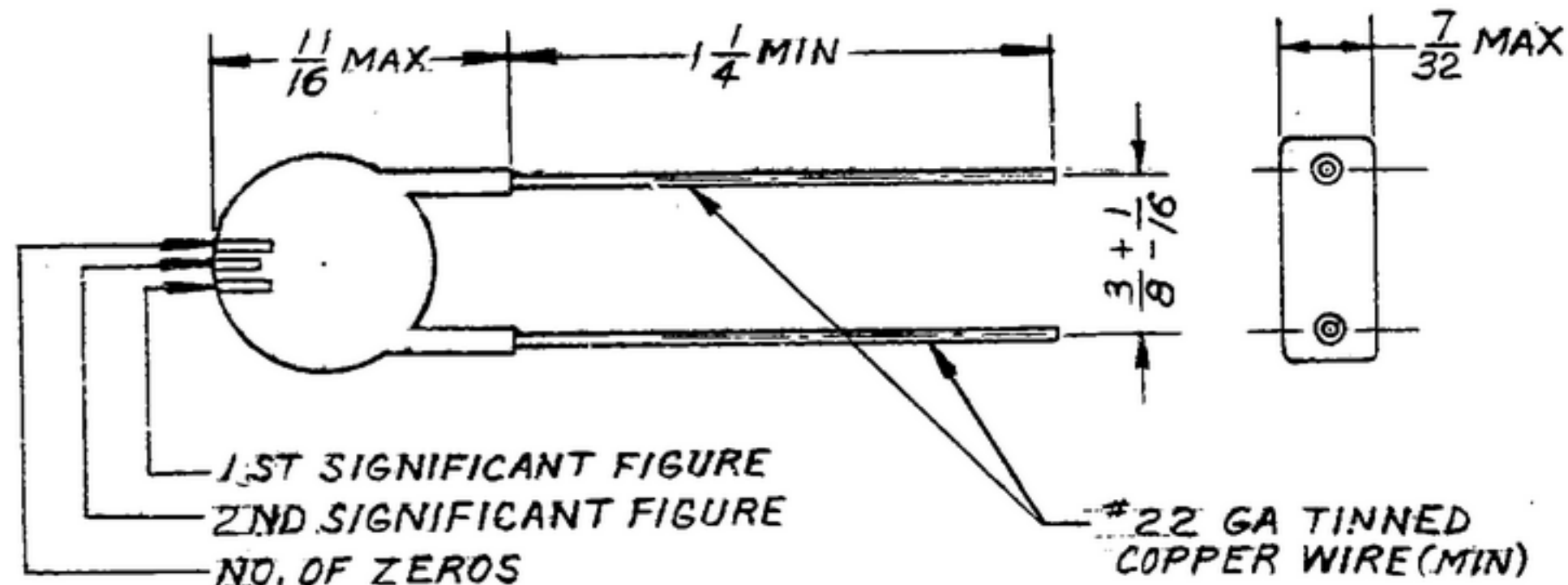


NOTICE—WHEN GOVERNMENT DRAWINGS, SPECIFICATIONS, OR OTHER DATA ARE USED FOR ANY PURPOSE OTHER THAN IN CONNECTION WITH A DEFINITELY RELATED GOVERNMENT PROCUREMENT OPERATION, THE UNITED STATES GOVERNMENT THEREBY INCURS NO RESPONSIBILITY NOR ANY OBLIGATION WHATSOEVER; AND THE FACT THAT THE GOVERNMENT MAY HAVE FORMULATED, FURNISHED, OR IN ANY WAY SUPPLIED THE SAID DRAWINGS, SPECIFICATIONS OR OTHER DATA IS NOT TO BE REGARDED BY IMPLICATION OR OTHERWISE AS IN ANY MANNER LICENSING THE HOLDER OR ANY OTHER PERSON OR CORPORATION, OR CONVEYING ANY RIGHTS OR PERMISSION TO MANUFACTURE, USE, OR SELL ANY PATENTED INVENTION THAT MAY IN ANY WAY BE RELATED THERETO.

NEXT ASSY	USED ON
SM-E-24914/	SC-DL-248775

REVISIONS			
SYM	DESCRIPTION	DATE	APPROVAL
D	REVISED & REDRAWN	15 FEB 66	[Signature]



1ST SIGNIFICANT FIGURE
2ND SIGNIFICANT FIGURE
NO. OF ZEROS

COLOR CODING — $\mu\mu f$		
1ST SIG. FIG.	2ND SIG. FIG.	NO. OF ZEROS
GREEN	BLACK	RED

NOTES: (CONT)

THAN $\pm 15\%$.

6- MARKING: PART SHALL BE PERMANENTLY MARKED WITH CAPACITANCE OR SHALL BE COLOR CODED AS SHOWN ON THIS DRAWING. PART SHALL ALSO BE MARKED WITH MFR NAME OR TRADEMARK. MARKINGS SHALL MEET THE TEST REQUIREMENTS OF MIL-M-13231.

7- LIFE: PART SHALL WITHSTAND THE LIFE TEST OF PAR. 4.6.13 OF MIL-C-11015 EXCEPT THAT TEST VOLTAGE SHALL BE 1000 VDC AND TEST TEMPERATURE SHALL BE 125°C.

NOTES:

PARTS SHALL MEET ALL REQUIREMENTS OF MIL-C-11015 FOR TYPE CK63 EXCEPT AS INDICATED BELOW:

1-DIMENSIONS SHALL BE PER DRAWING.

2-CAPACITANCE: 5000 $\mu\mu f$ GMV AT 25°C.

3-WORKING VOLTAGE: 1000 VDC AT 85°C, 500 VDC AT 125°C.

4-DIELECTRIC WITHSTANDING VOLTAGE: 2000 VDC BETWEEN TERMINALS AT 25°C, 1500 VDC AT 25°C ON BODY INSULATION.

5-CAPACITANCE CHANGE: OVER THE TEMPERATURE RANGE -55°C TO +125°C THE CAPACITANCE SHALL NOT VARY FROM THE MEASURED VALUE AT 25°C BY MORE

ITEM NO.	QTY REQD	PART OR IDENTIFYING NUMBER	NOMENCLATURE OR DESCRIPTION	SPECIFICATION	NOTE
SM-E-249101					
SM-D-249007					
SM-C-249037					
SM-E-249014					
SM-B-249001					
SM-D-248801		SC-DL-248775			
		NEXT ASSY	USED ON		
APPLICATION					
UNLESS OTHERWISE SPECIFIED DIMENSIONS ARE IN INCHES TOLERANCES ON FRACTIONS DECIMALS ANGLES					
			AUTHENTICATION	LIST OF MATERIAL	
			DRAWN 14214-PH-51-93	DEPARTMENT OF THE ARMY U. S. ARMY ELECTRONICS COMMAND FORT MONMOUTH NEW JERSEY	
			CHECKED 14214-PH-51-93	CAPACITOR-FIXED	
			VERIFIED 14214-PH-51-93		
			APPROVED HLY PME		
			DATE 19 JAN 1956	CODE IDENT NO. 80063	SIZE B
				SM-B-283227	
				SCALE 2/1	SHEET

WHEN REFERRING TO THIS DRAWING STATE DRAWING NO., APPLICABLE ISSUE SYMBOL, IF ANY, & DATE